

| | operation when directly connected to chimney | operation when connected accumulation mass |
|--|--|--|
| Energy label | A | A |
| Operating data | | |
| Nominal heat power | 13,5 kW | ---- |
| Efficiency | > 80 % | ---- |
| Consumption of wood | 3,8 kg/h | 5,5 kg |
| Total heat output of the burning chamber | ---- | 22 kW |
| Mass flow of flue gas | 11,6 g/s | 20 g/s |
| Required chimney pressure | 12 Pa | 12 Pa |
| Required amount of combustion air | 40 m ³ /h | 60 m ³ /h |
| Average flue gas temperature | | |
| on the output | 302 °C | 376 °C |
| past 3 m of ceramic accumulation system KMS 300 ¹ | ---- | 197 °C |
| Heat distribution | | |
| fireplace insert | 63–78 % | 45 % |
| door glass (single / double) | 37 / 22 % | 37 / 22 % |
| adjoining accumulation mass | ---- | 18–33 % |
| Information for ventilated builds | | |
| Minimal grill area supply / outgoing | 1200 / 1400 cm ² | 1200 / 1400 cm ² |
| Minimum distance from insulated areas / floor | 80 / 0 mm | 80 / 0 mm |
| Reference insulation ² ceiling / back wall / side wall / floor | 120 / 80 / 80 / 0 mm | 120 / 80 / 80 / 0 mm |
| Calciumsilicate insulation ³ ceiling / back wall / side wall / floor | 90 / 60 / 60 / 0 mm | 90 / 60 / 60 / 0 mm |
| Information for non-ventilated builds (closed grills) | | |
| Minimum radiant area ⁴ | 4,5 m ² | 5 m ² |
| Minimum distance from insulated areas / floor | 80 / 20 mm | 80 / 20 mm |
| Reference insulation ² ceiling / back wall / side wall / floor | 160 / 100 / 100 / 20 mm | 160 / 100 / 100 / 20 mm |
| Calciumsilicate insulation ³ ceiling / back wall / side wall / floor | 120 / 75 / 75 / 20 mm | 120 / 75 / 75 / 20 mm |
| General technical information | | |
| Total weight / lining weight | ca. 421 / 137 kg | ca. 421 / 137 kg |
| Burning chamber dimensions (width x depth) | 1010 x 315 mm | |
| Combustion air connection | Ø 150 mm | |
| Use in non-ventilated accumulation builds according to craft rules | suitable | |
| Tested according to | EN 13229 | |
| Meets values | BlmSchV (Stufe2), 15a BVG, NS 3059 | |

1 Listed value from testing. For accurate results is evaluation of each system in the Ortnr / KOV program necessary.

2 Mineral wool according to AGI-Q 132

3 Example SkamoEnclosure Board 225 kg/m³

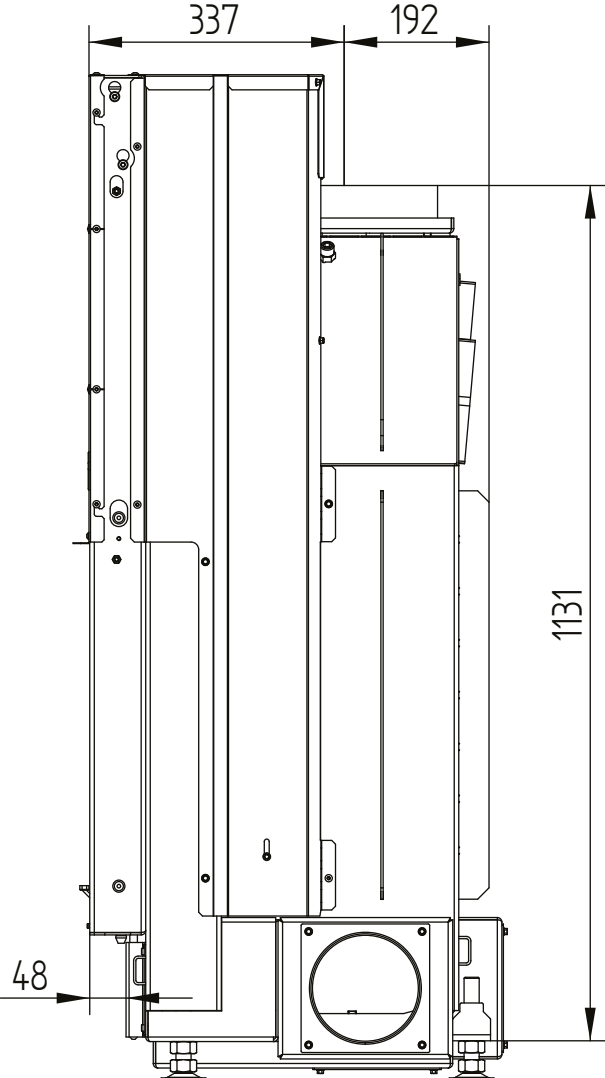
4 Depends on accumulation period and material characteristics. Listed values calculated with chamotte stone thickness 30 mm with radiant area 500 W/m²

HAKA 110/51

Technical data
Version 2019/08

liftdoor

M 1:10

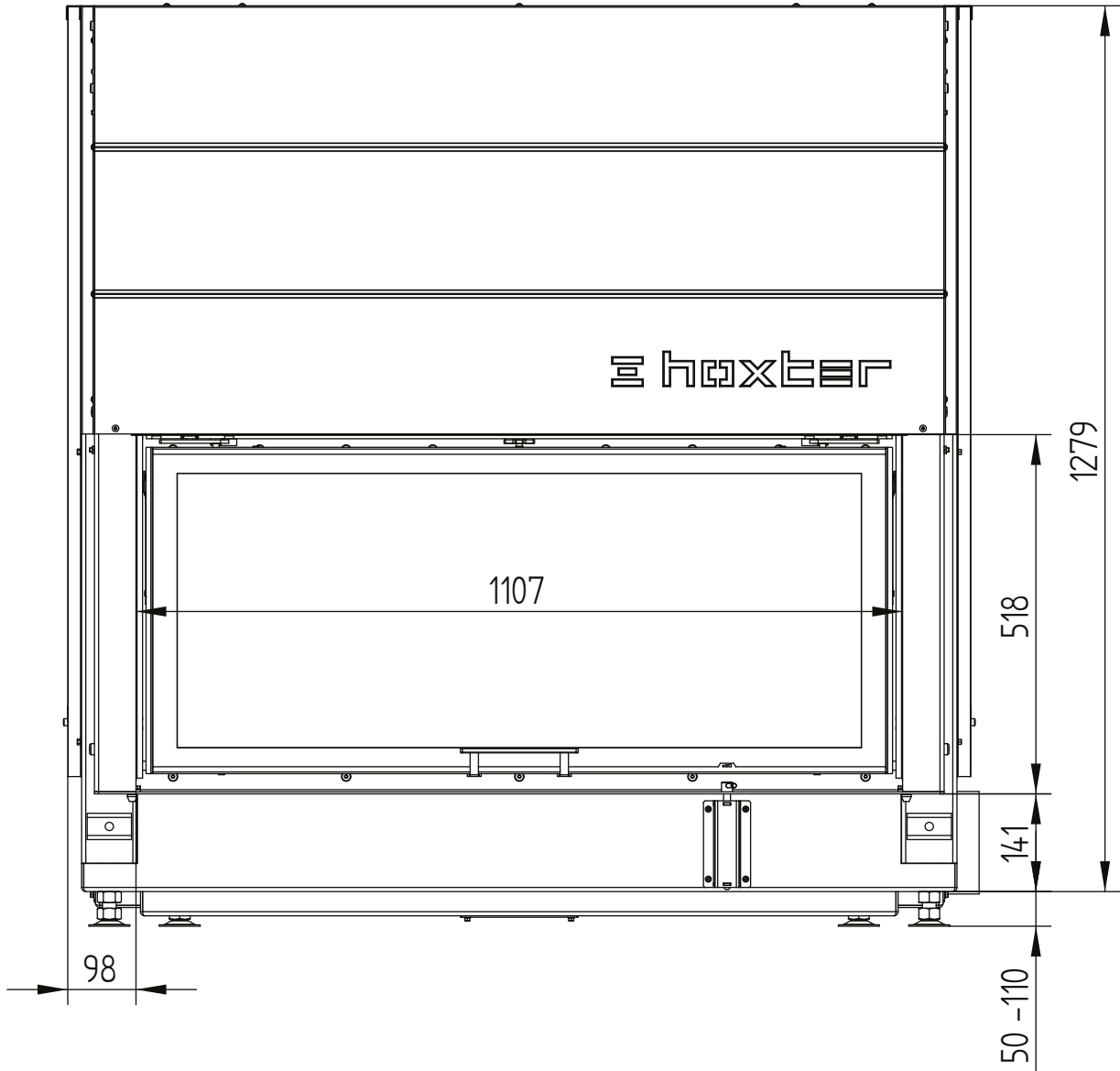


HAKA 110/51

Technical data
Version 2019/08

liftdoor

M 1:10

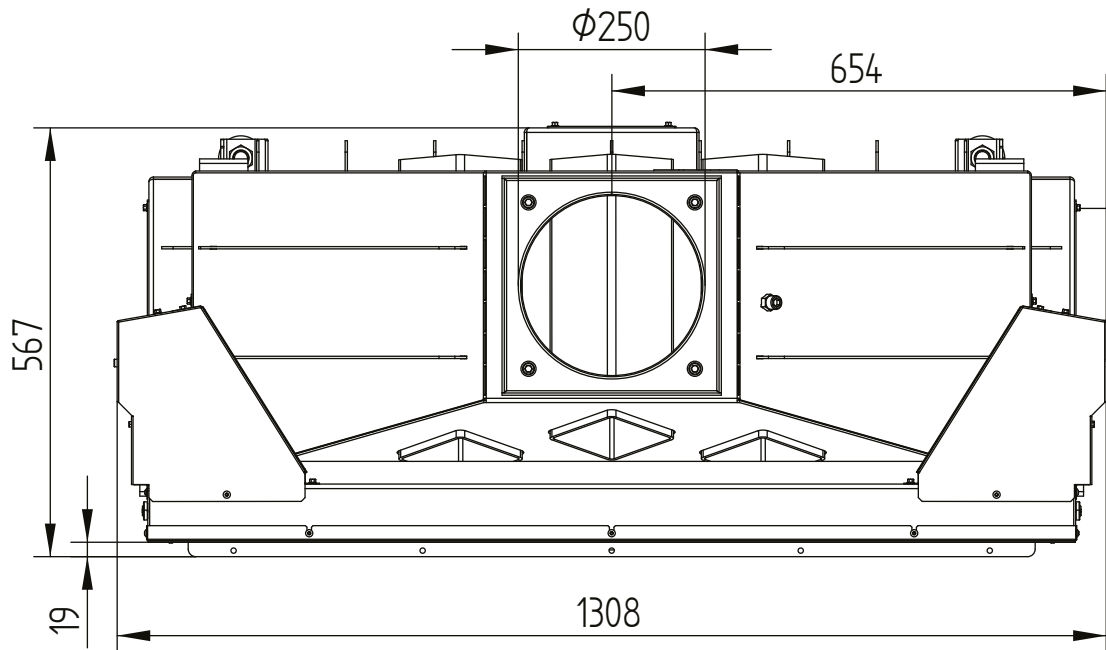


HAKA 110/51

Technical data
Version 2019/08

liftdoor

M 1:10

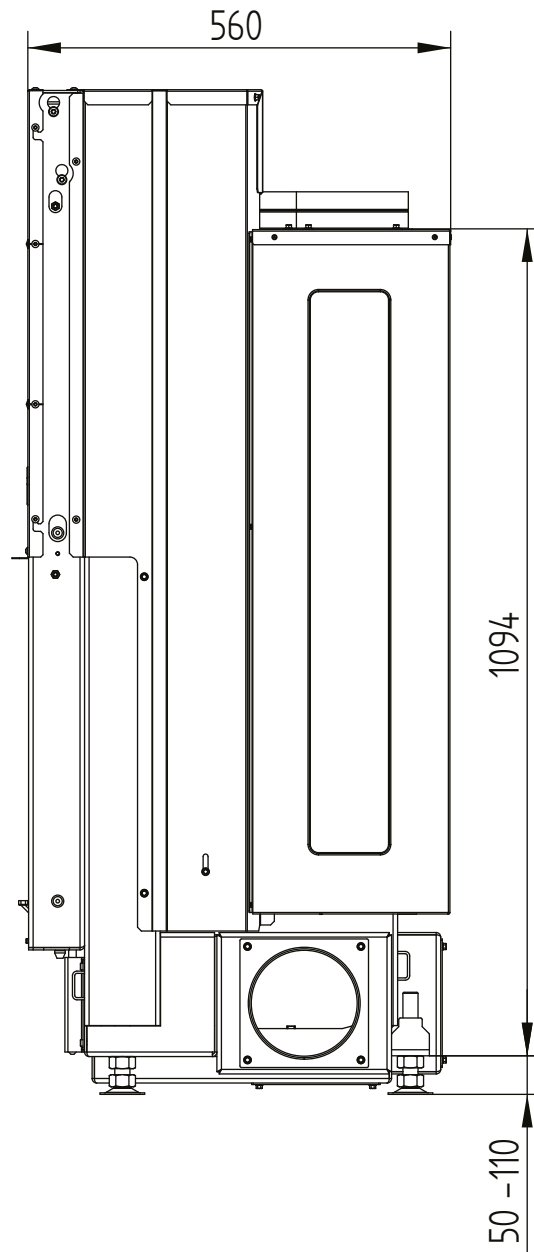


HAKA 110/51

Technical data
Version 2019/08

convection jacket HAKA 110/51h liftdoor

M 1:10

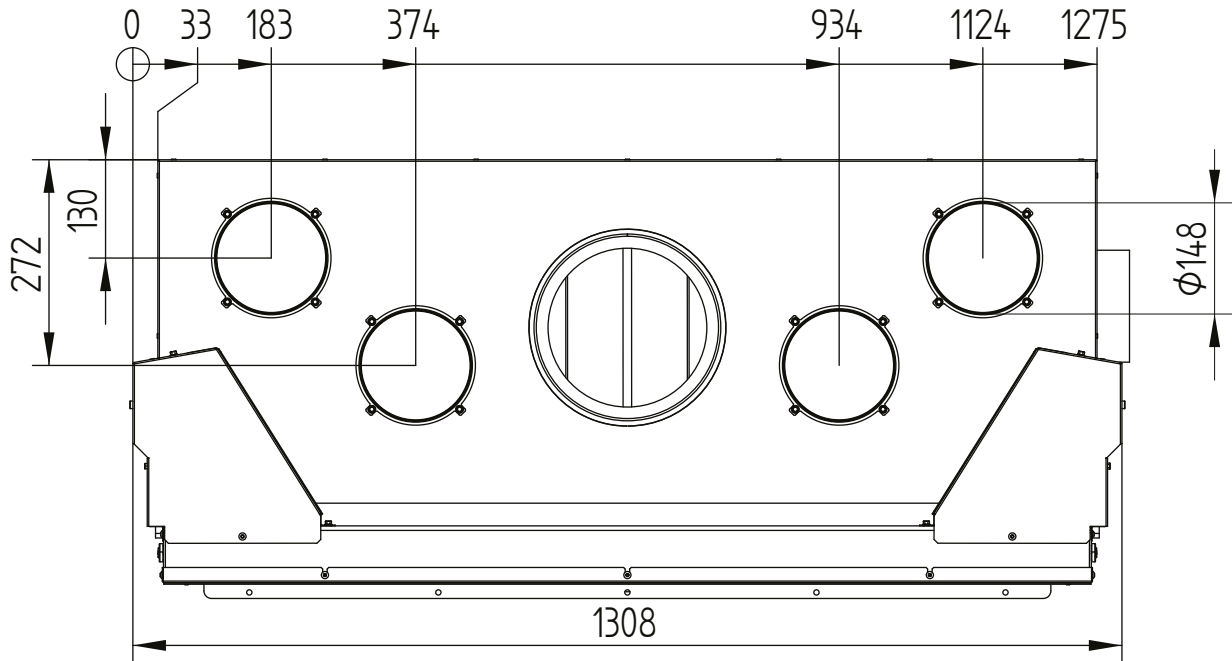


HAKA 110/51

Technical data
Version 2019/08

convection jacket HAKA 110/51h liftdoor

M 1:10

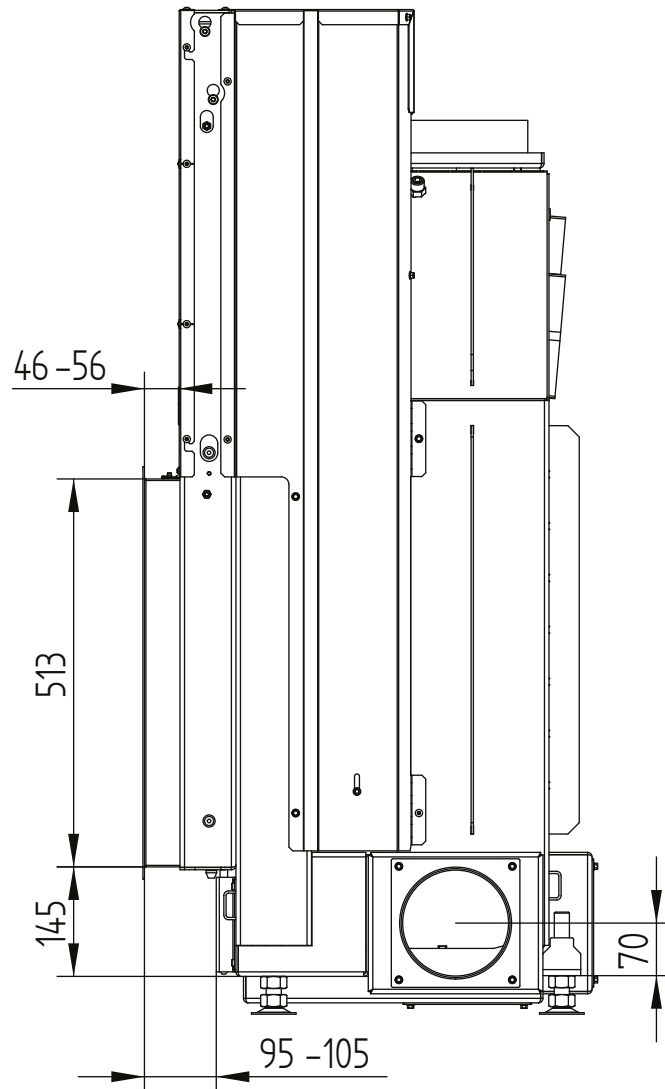


HAKA 110/51

Technical data
Version 2019/08

cover frame 110/51h liftdoor 4sides 50 mm 1 x 90° / air intake

M 1:10

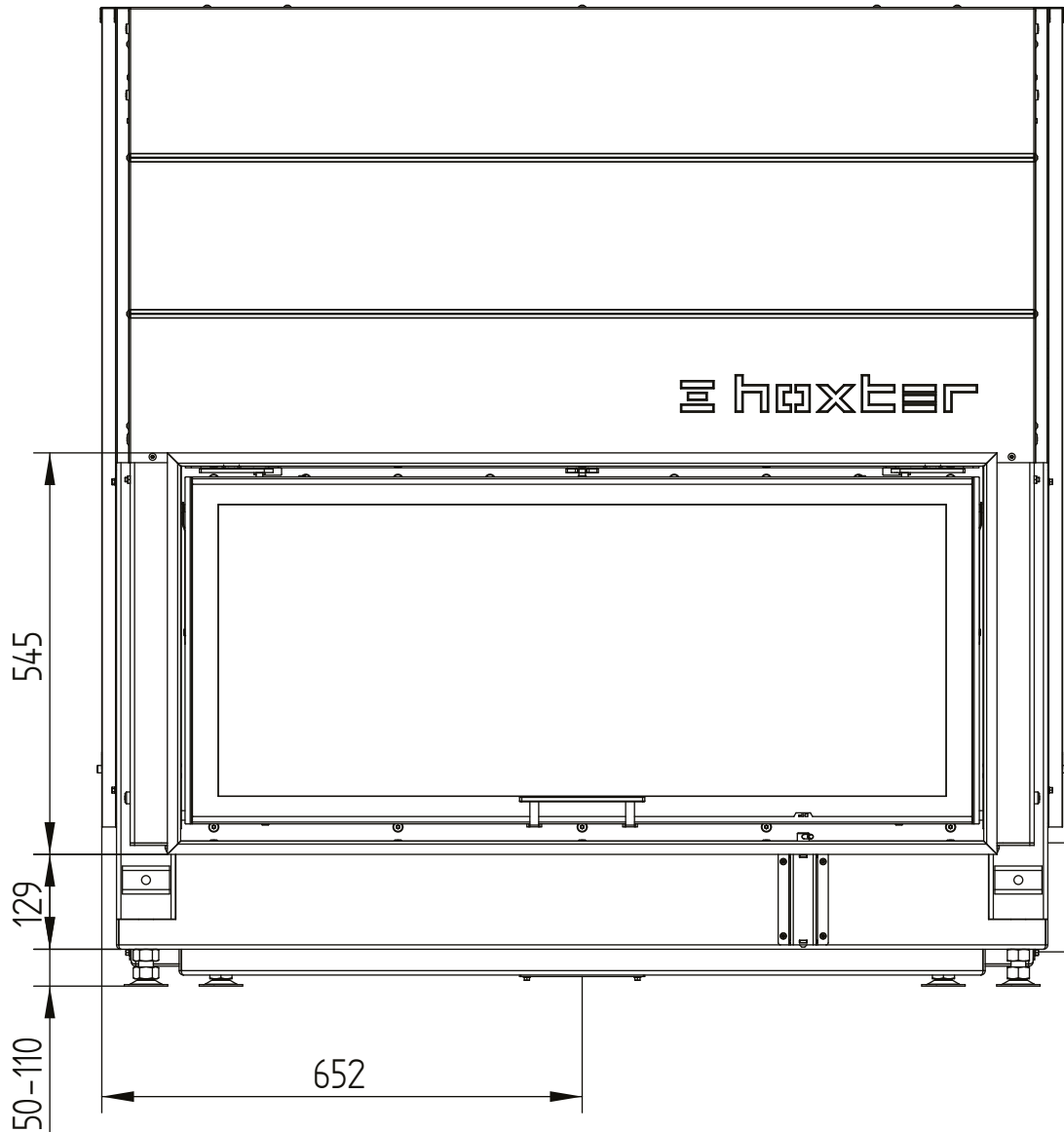


HAKA 110/51

Technical data
Version 2019/08

cover frame 110/51h liftdoor 4sides 50 mm 1 x 90° / air intake

M 1:10

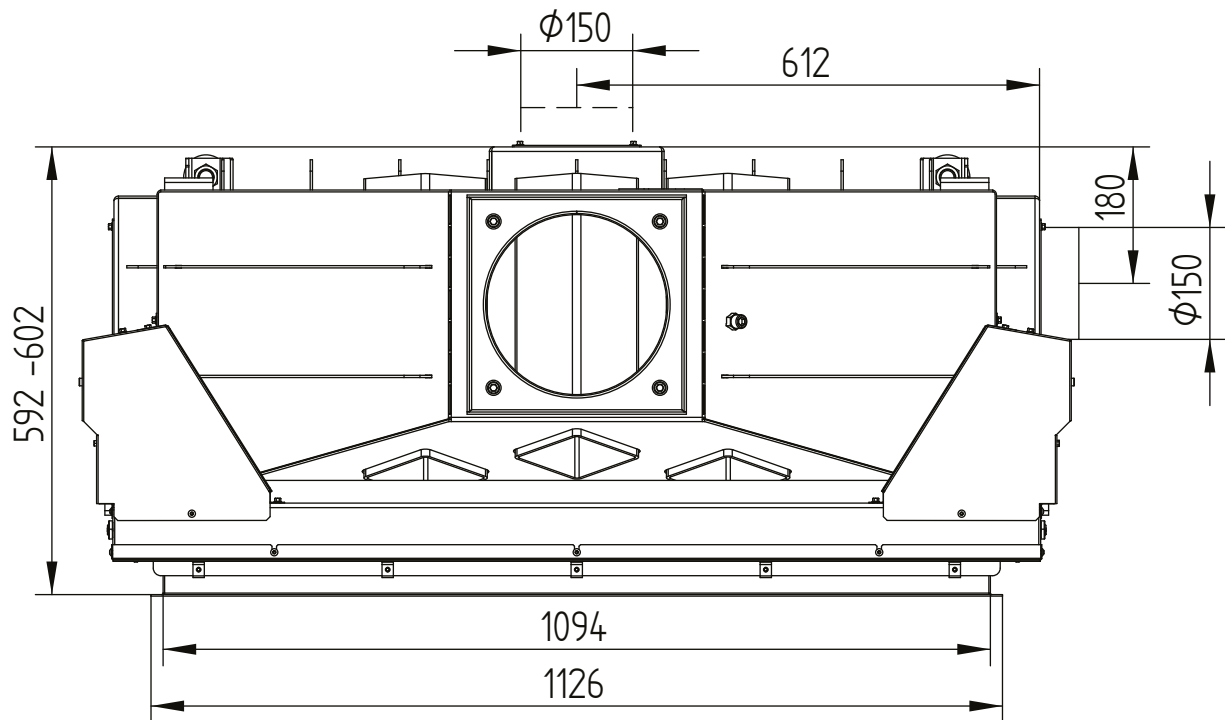


HAKA 110/51

Technical data
Version 2019/08

cover frame 110/51h liftdoor 4sides 50 mm 1 x 90° / air intake

M 1:10

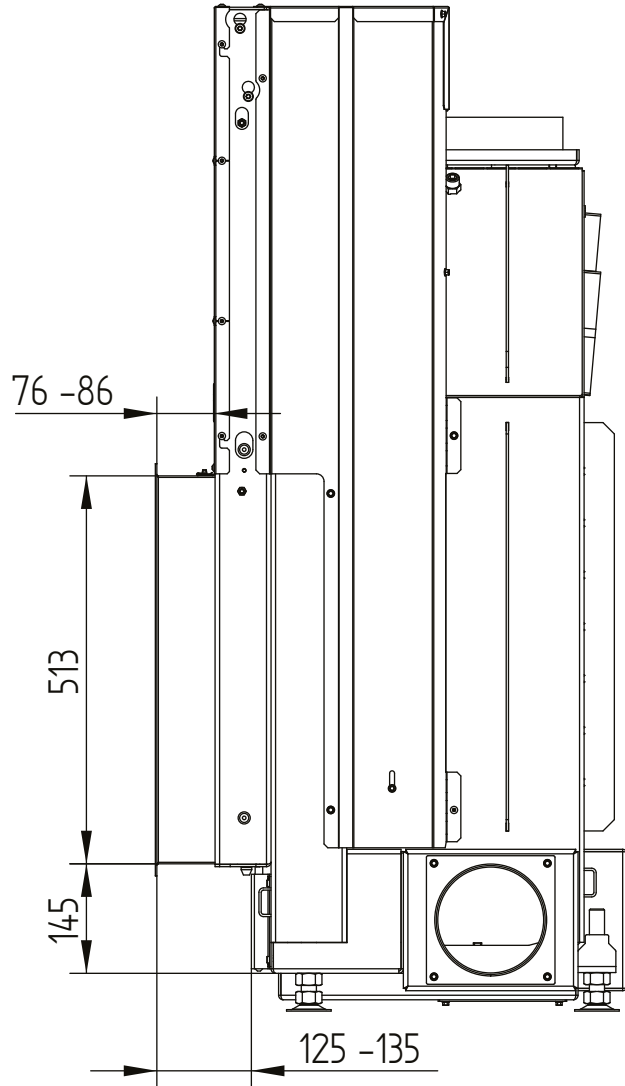


HAKA 110/51

Technical data
Version 2019/08

cover frame 110/51h liftdoor 4sides 80 mm 1 x 90°

M 1:10

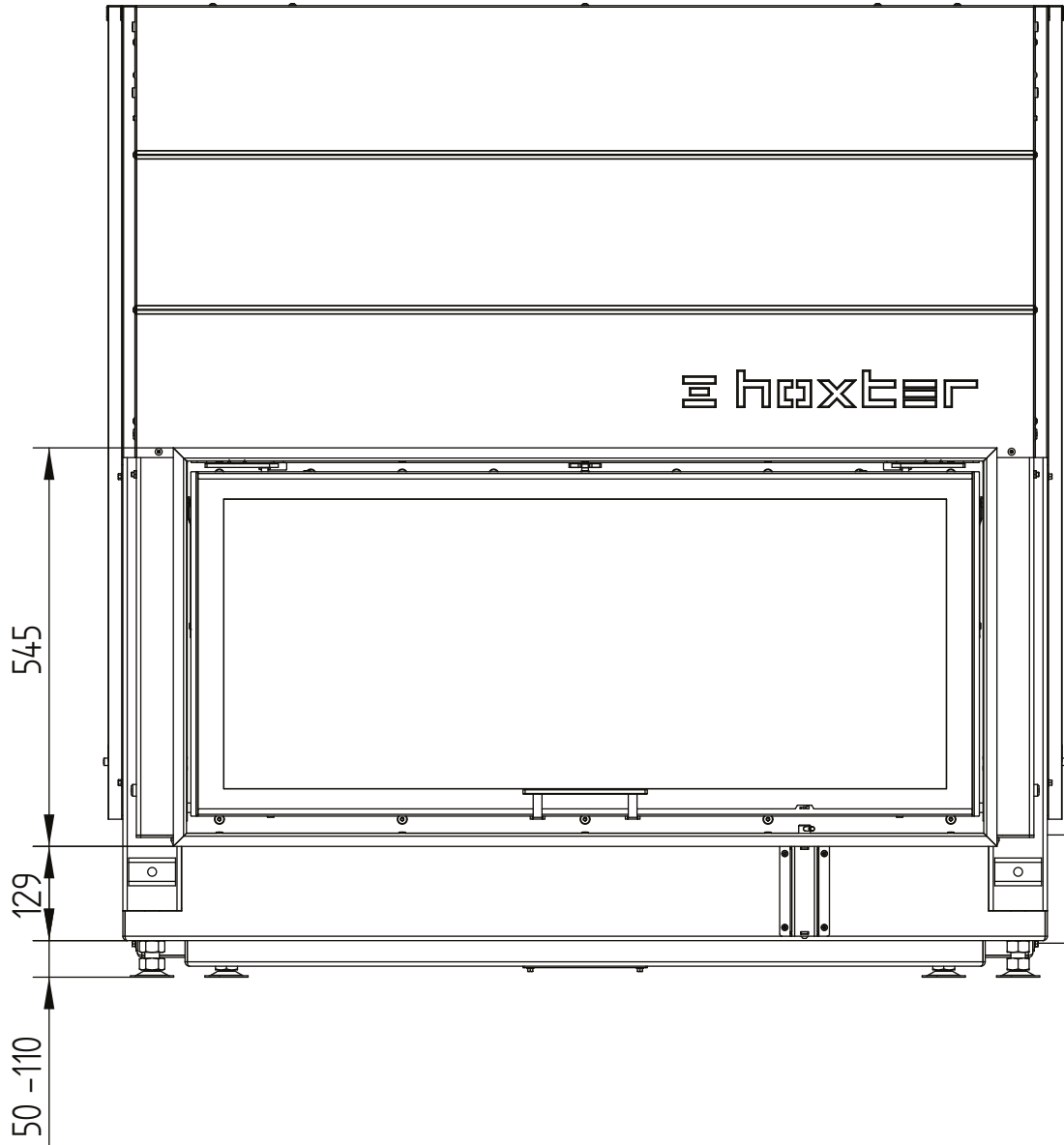


HAKA 110/51

Technical data
Version 2019/08

cover frame 110/51h liftdoor 4sides 80 mm 1 x 90°

M 1:10

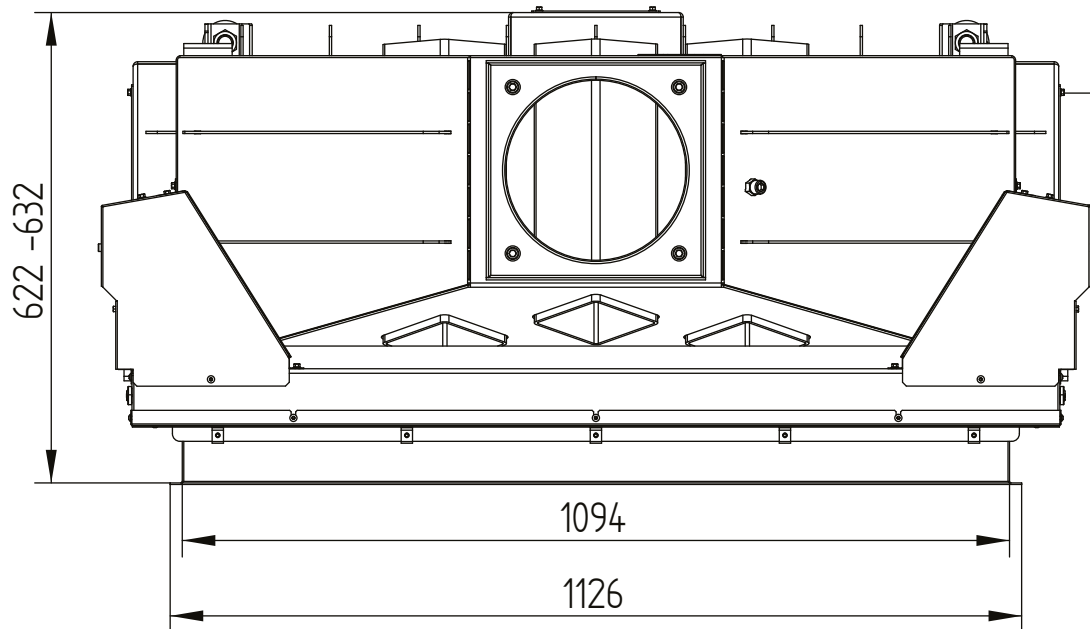


HAKA 110/51

Technical data
Version 2019/08

cover frame 110/51h liftdoor 4sides 80 mm 1 x 90°

M 1:10

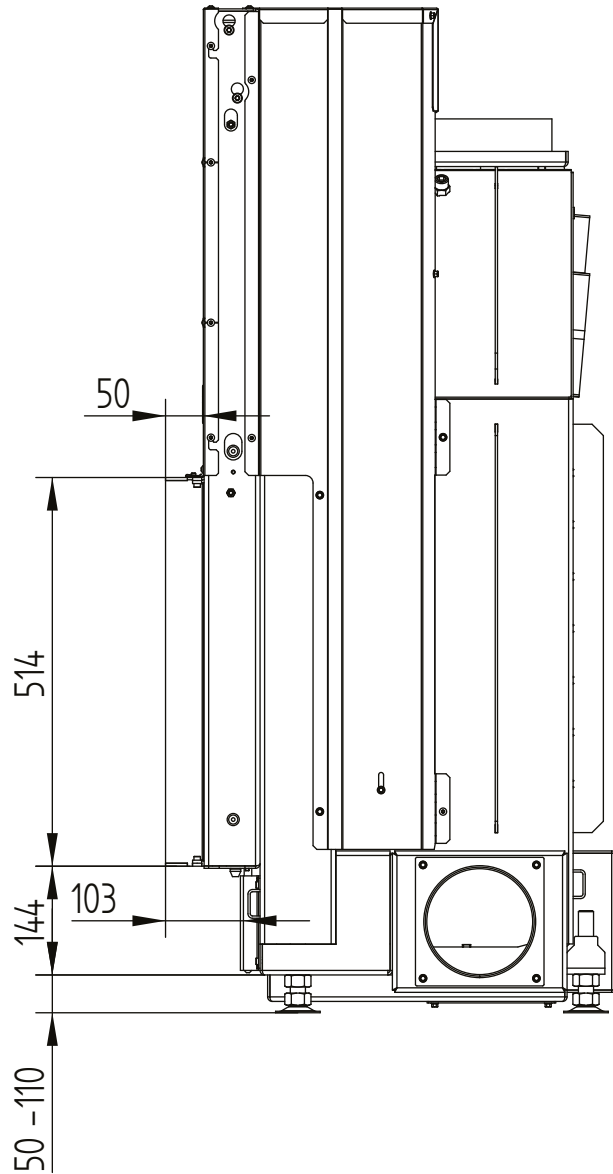


HAKA 110/51

Technical data
Version 2019/08

build-on frame 110/51h liftdoor 4sides 50 mm / feet

M 1:10

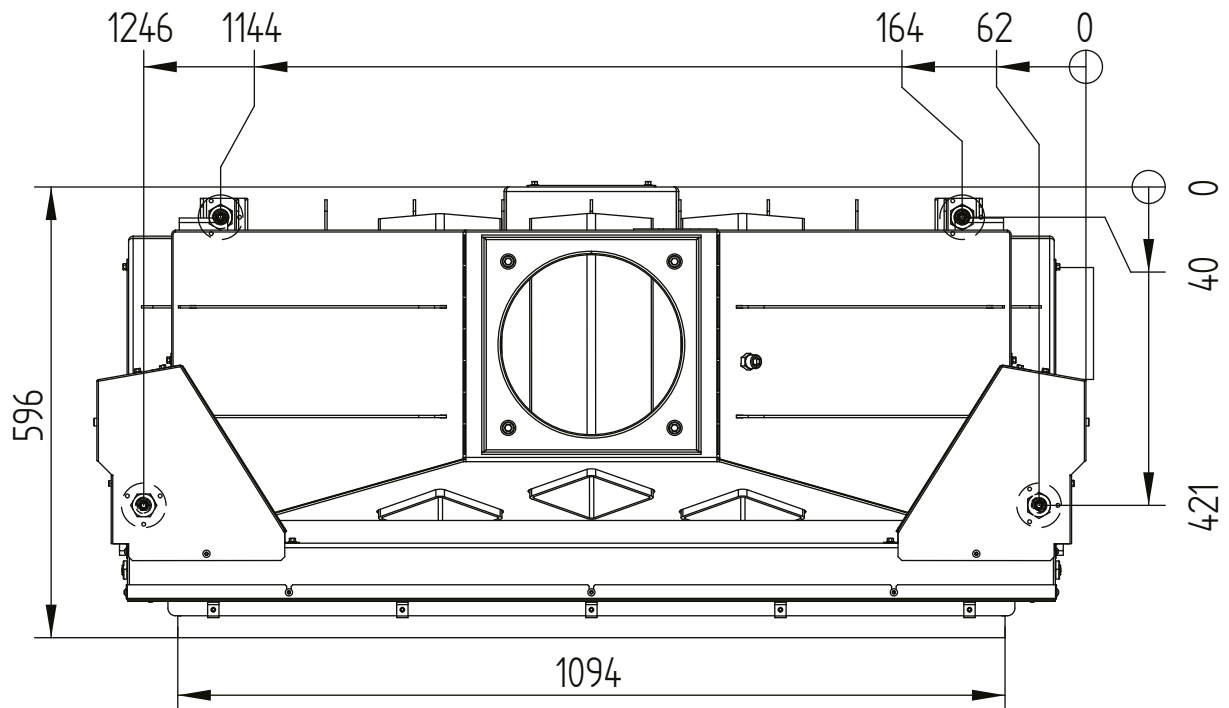


HAKA 110/51

Technical data
Version 2019/08

build-on frame 110/51h liftdoor 4sides 50 mm / feet

M 1:10

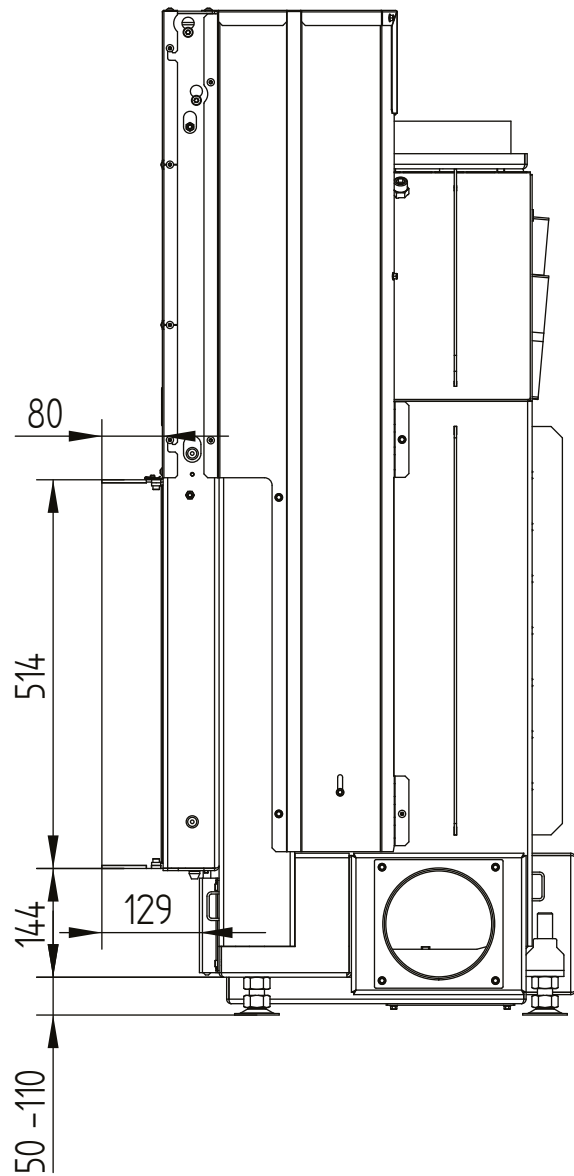


HAKA 110/51

Technical data
Version 2019/08

build-on frame 110/51h liftdoor 4sides 80 mm

M 1:10

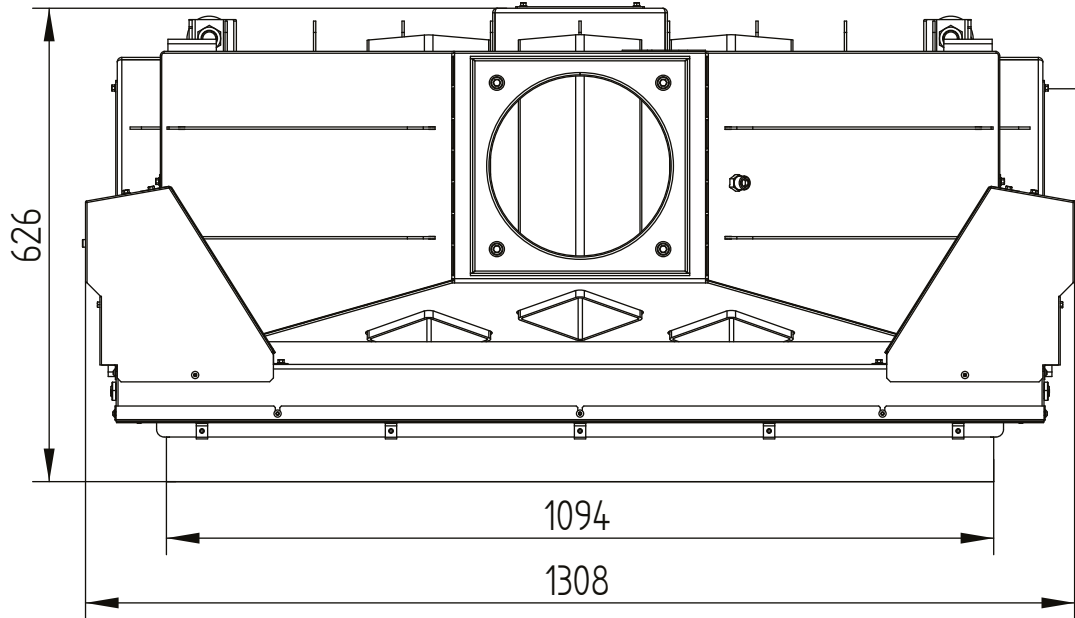


HAKA 110/51

Technical data
Version 2019/08

build-on frame 110/51h liftdoor 4sides 80 mm

M 1:10

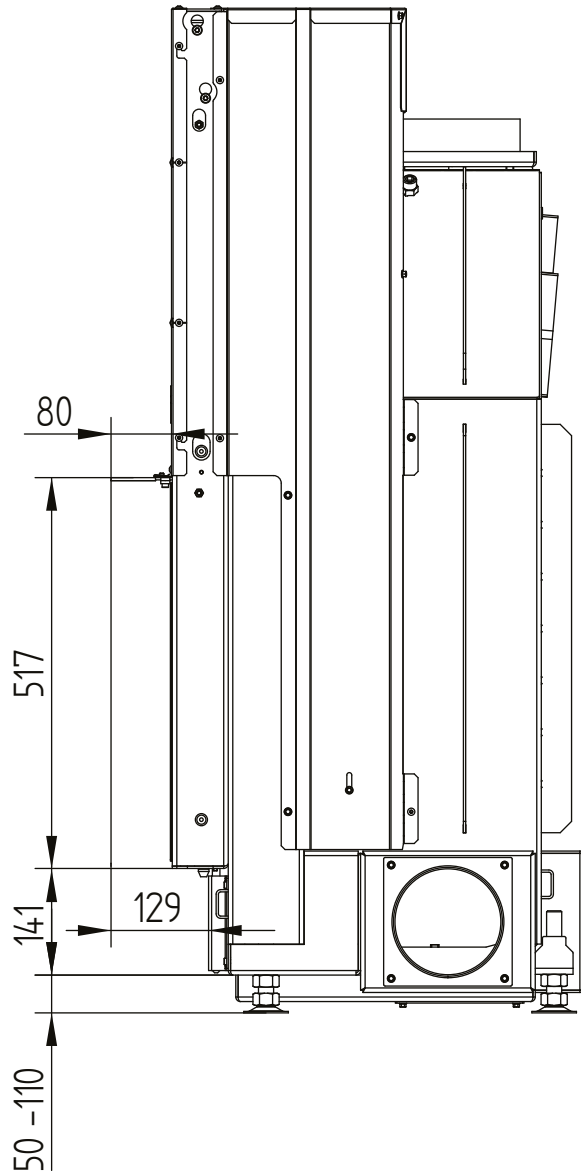


HAKA 110/51

Technical data
Version 2019/08

build-on frame 110/51h liftdoor 3sides 80 mm

M 1:10



HAKA 110/51

Technical data
Version 2019/08

build-on frame 110/51h liftdoor 3sides 80 mm

M 1:10

